



**LEGEND**

APC

# Inline Separator

## Features

- Patent-pending technology
- Rugged steel construction
- Powder-coated for durability
- Often sold with Legend APC sealed self-dumping hoppers or closed canister barrels

## Applications

- Perfect for woodworking or other dry dust applications.

## Technical Data

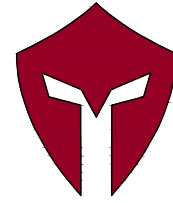
- Available in 6" to 36" diameter
- Rolled lip connections on sizes up to 24"
- Flanged connections on sizes 25" to 36"

The Legend APC Inline Separator uses both reduced air velocity and centrifugal force to separate dust from air. With no moving parts to wear out, it serves as an efficient pre-separator or classifier by capturing larger dust particles before they reach the dust collector. This means fewer stoppages to empty discharge bags, barrels or hoppers.

Available in sizes ranging from six inches to thirty-six inches in diameter.

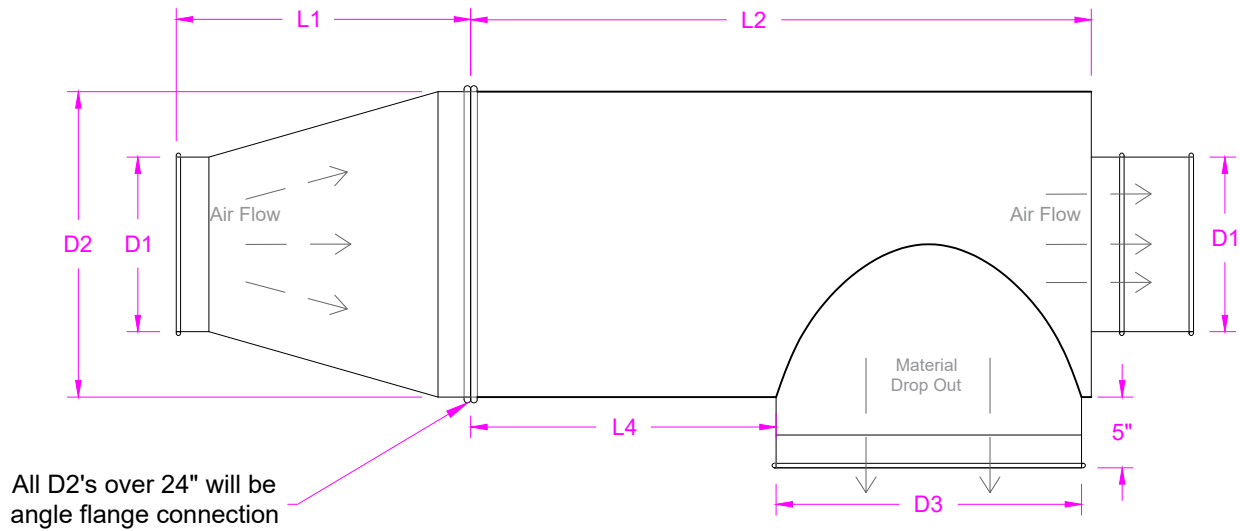


Powder Coated RAL  
3004 Matte 34" and  
Larger will be wet  
painted.



**LEGEND**  
APC

Recommended inlet velocity speed to be  
around 3500 ft per minute for best  
performance (Max 4000fpm) and to keep  
static pressure down.



Part Number	Inlet Size	OD of Body	Drop out	Inlet Reducer	Body	OAL	Drop Out Offset
	D1	D2	D3	L1	L2	L3	L4
INLCY-6	6	11	11	10.4	23	33.4	10.5
INLCY-7	7	12	12	13.6	25	38.6	11.5
INLCY-8	8	14	14	13.6	29	42.6	13.5
INLCY-9	9	16	16	15.2	33	48.2	15.5
INLCY-10	10	18	18	16.8	37	53.8	17.5
INLCY-11	11	19	19	16.8	39	55.8	18.5
INLCY-12	12	22	22	20	45	65	21.5
INLCY-13	13	22	22	20	45	65	21.5
INLCY-14	14	25	24	20	49	69	24.5
INLCY-15	15	26	24	21.6	50	71.6	25.5
INLCY-16	16	28	24	23.2	52	75.2	27.5
INLCY-17	17	30	24	24.8	54	78.8	29.5
INLCY-18	18	32	24	26.4	56	82.4	31.5
INLCY-19	19	33	24	26.4	57	83.4	32.5
INLCY-20	20	35	24	26.4	59	85.4	34.5
INLCY-22	22	39	24	29.6	63	92.6	38.5
INLCY-24	24	42	24	32.8	66	98.8	41.5
INLCY-26	26	46	24	36	70	106	45.5

Rev 5/2/2024

**Questions? Contact Our Specialists**

336-485-5332 | info@legendapc.com